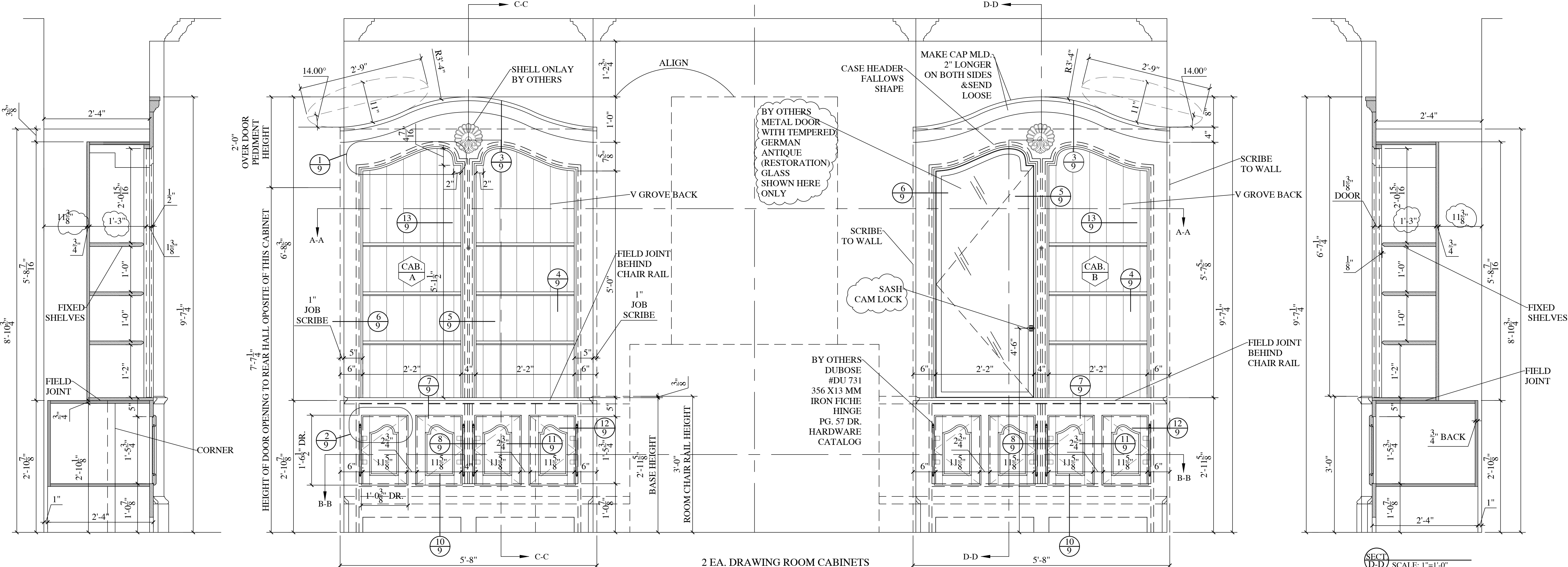
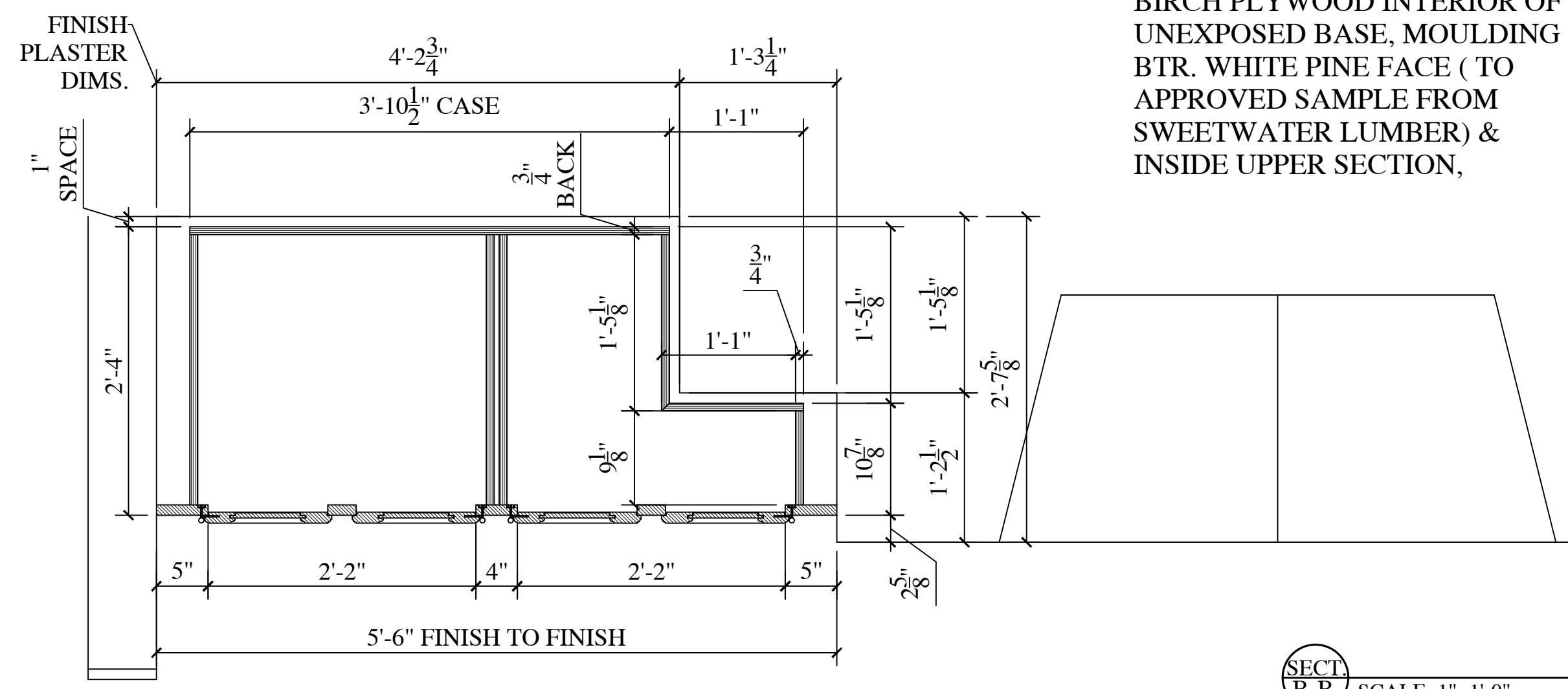


SECT A-A SCALE: 1"=1'-0"

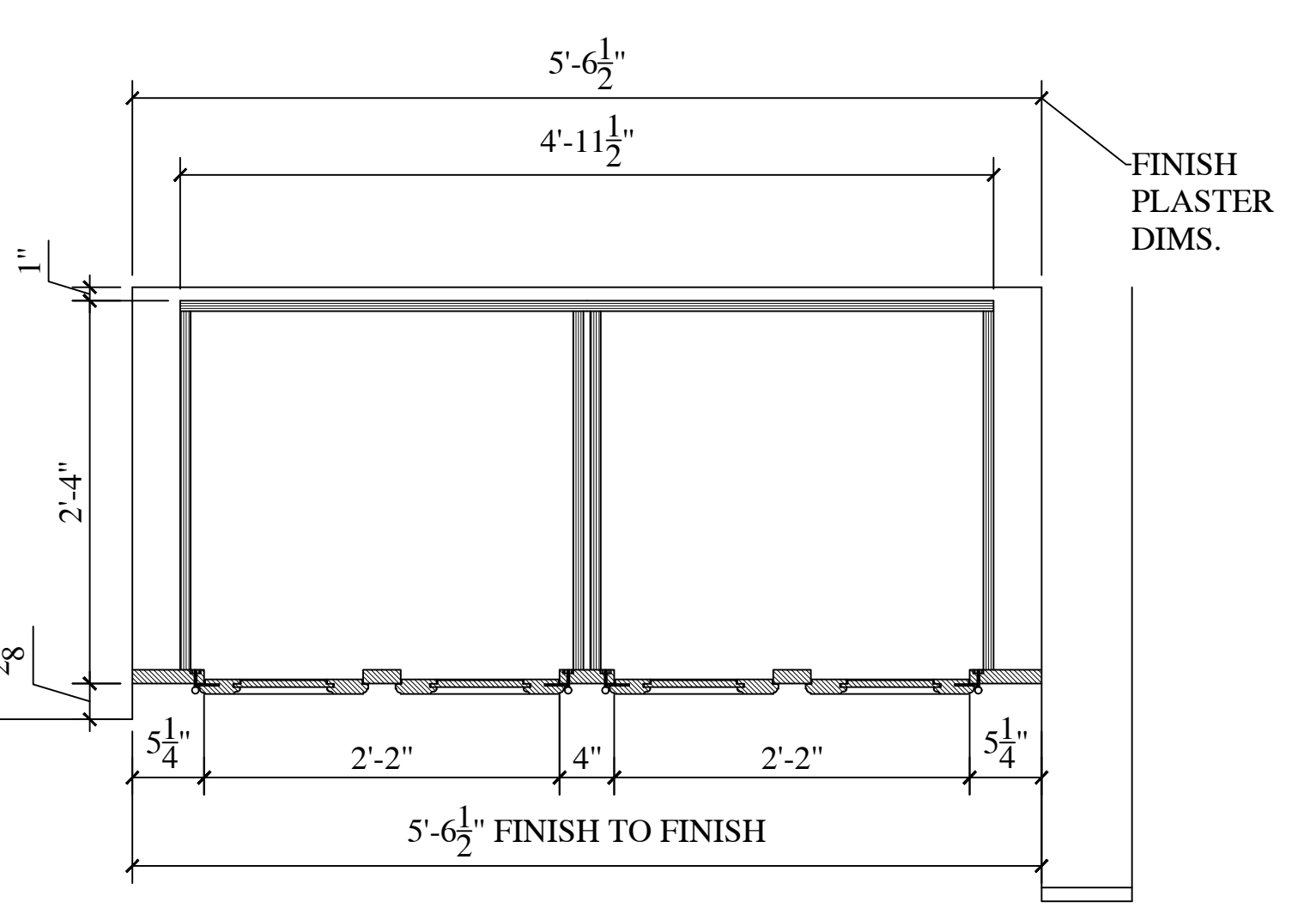


2 EA. DRAWING ROOM CABINETS
 BIRCH PLYWOOD INTERIOR OF
 UNEXPOSED BASE, MOULDING &
 BTR. WHITE PINE FACE (TO
 APPROVED SAMPLE FROM
 SWEETWATER LUMBER) &
 INSIDE UPPER SECTION,

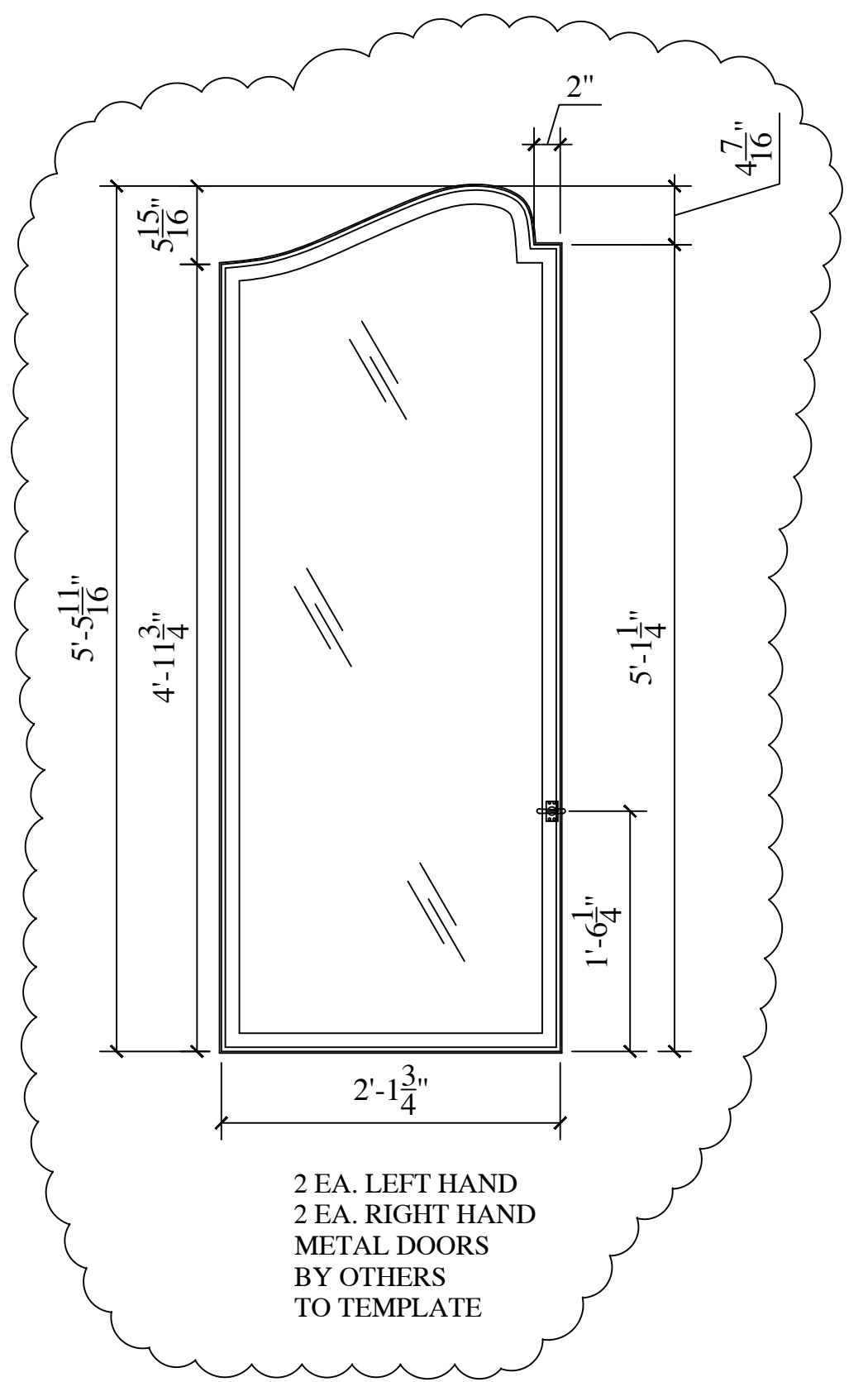
SECT C-C SCALE: 1"=1'-0"



SECT B-B SCALE: 1"=1'-0"



SECT D-D SCALE: 1"=1'-0"



© COPYRIGHT
 OLD MASTERS MILLWORK & DETAILS
 2018 ALL RIGHTS RESERVED

PLEASE NOTE:
 This drawing is property of OLD MASTERS MILLWORK & DETAILS LLC
 and may not be used or reproduced without written permission.

Old Masters
 Millwork & Details, LLC
 Phone: 770-851-8307
 oldmastersmillwork@gmail.com

JOB	
CONTRACTOR	
ARCHITECT	
General Notes	
Revision/Issue	Date
DETAIL BY:	SHEET
DATE:	
SCALE:	