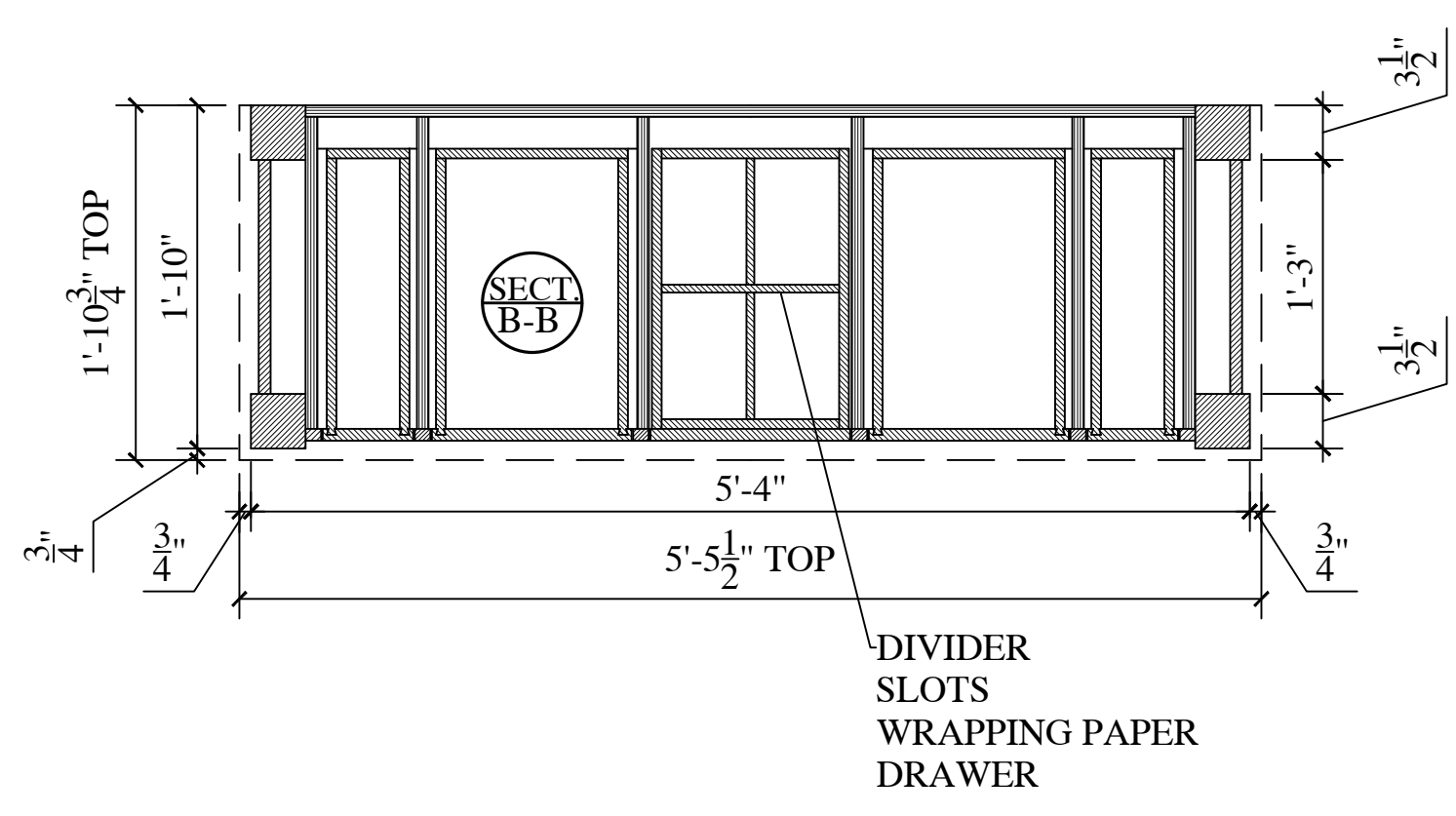
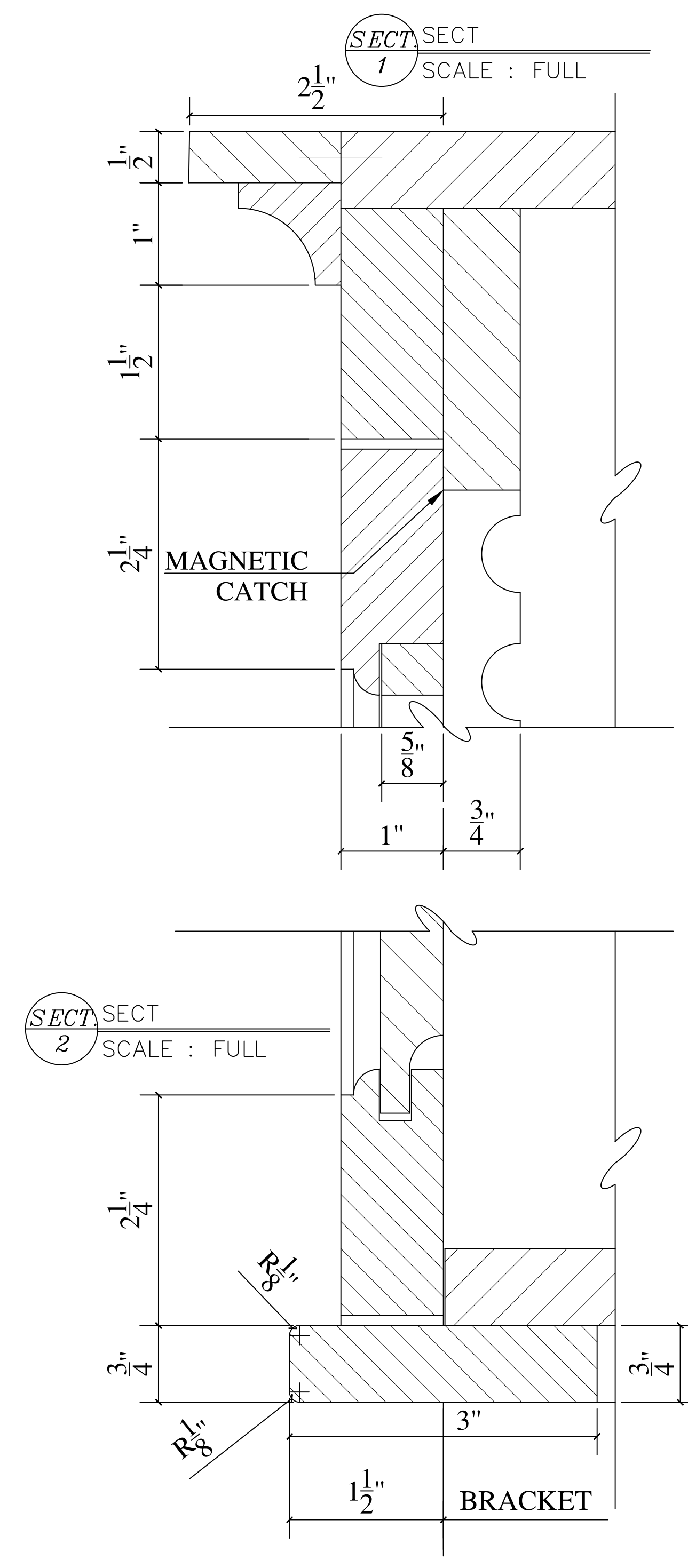
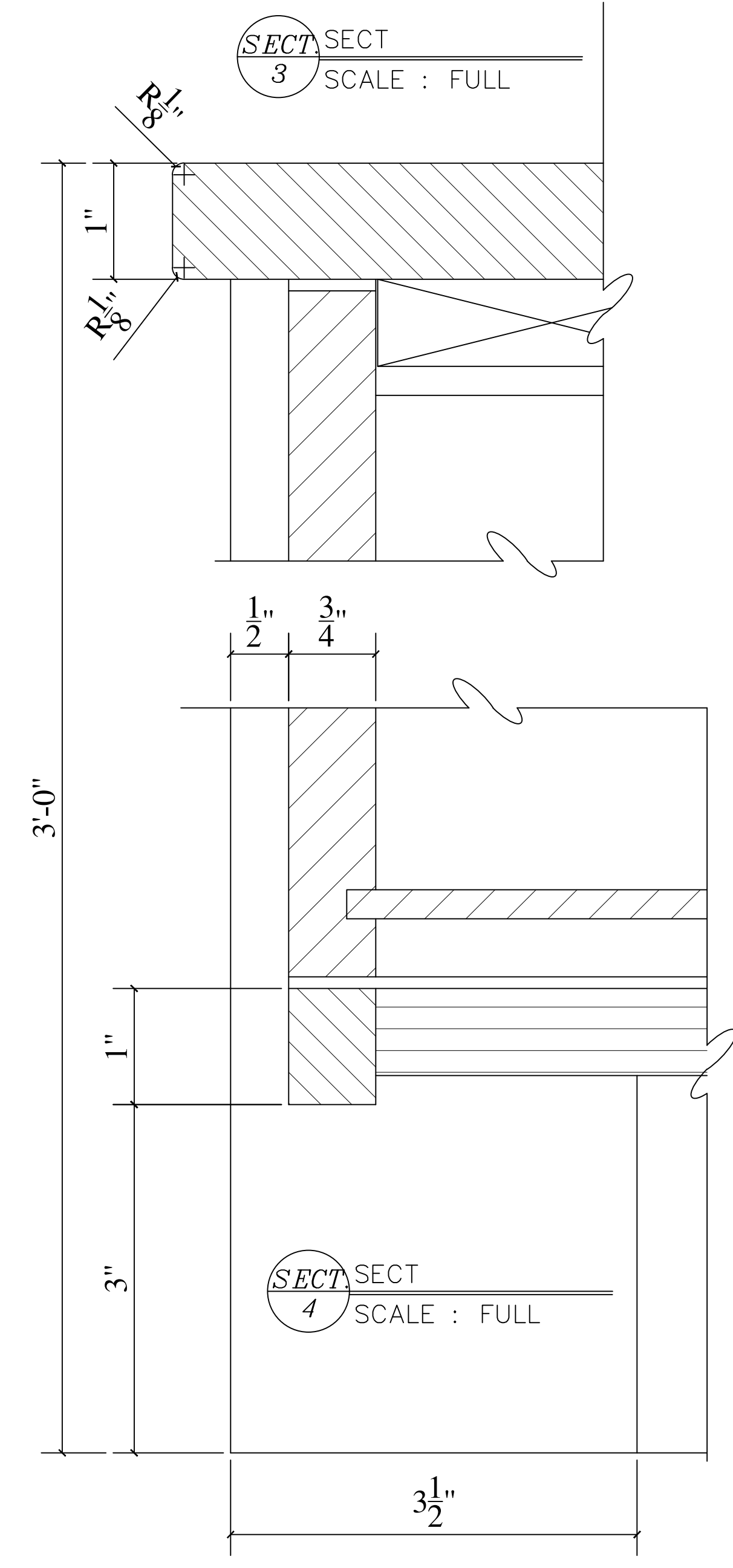
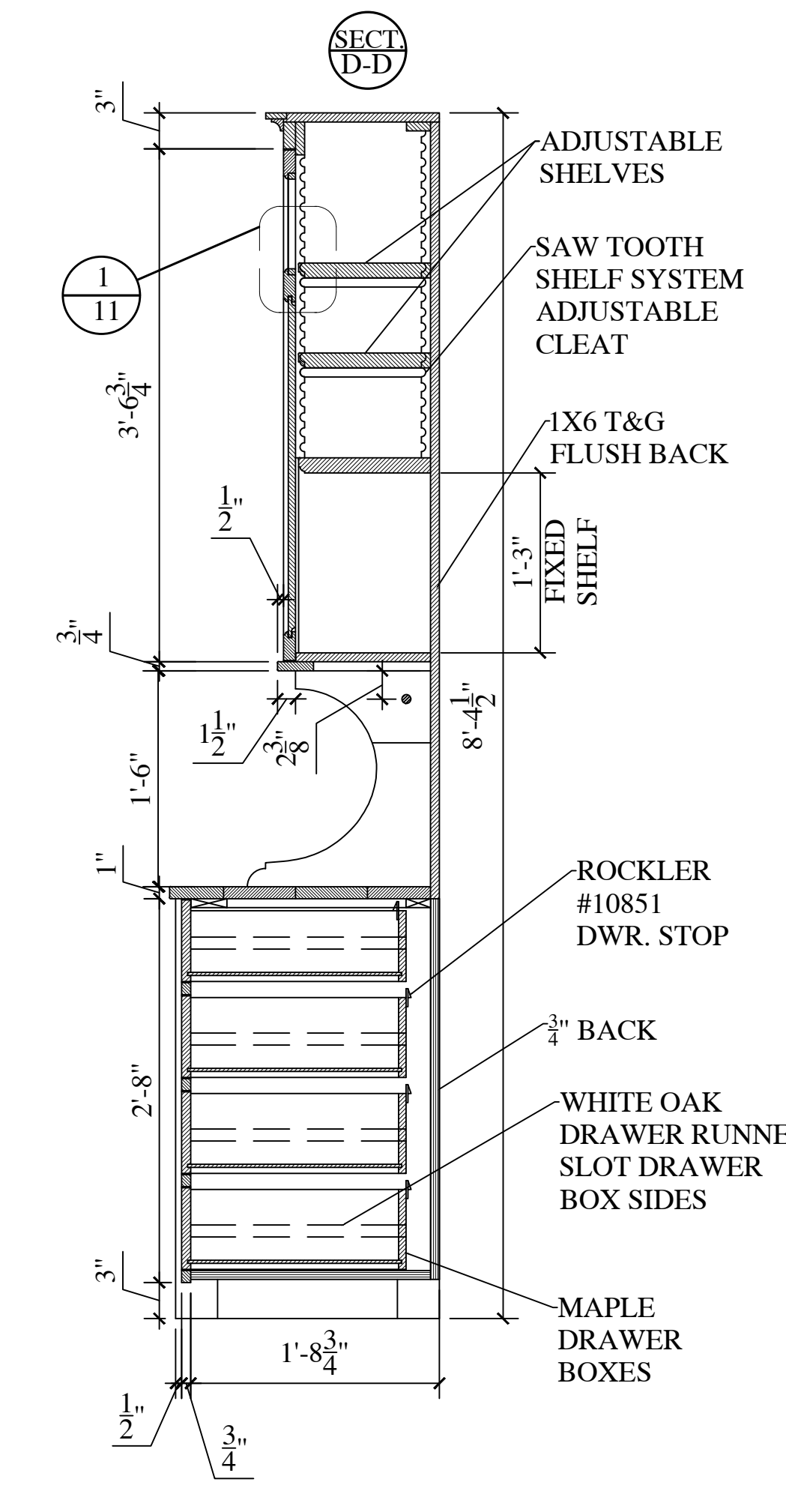
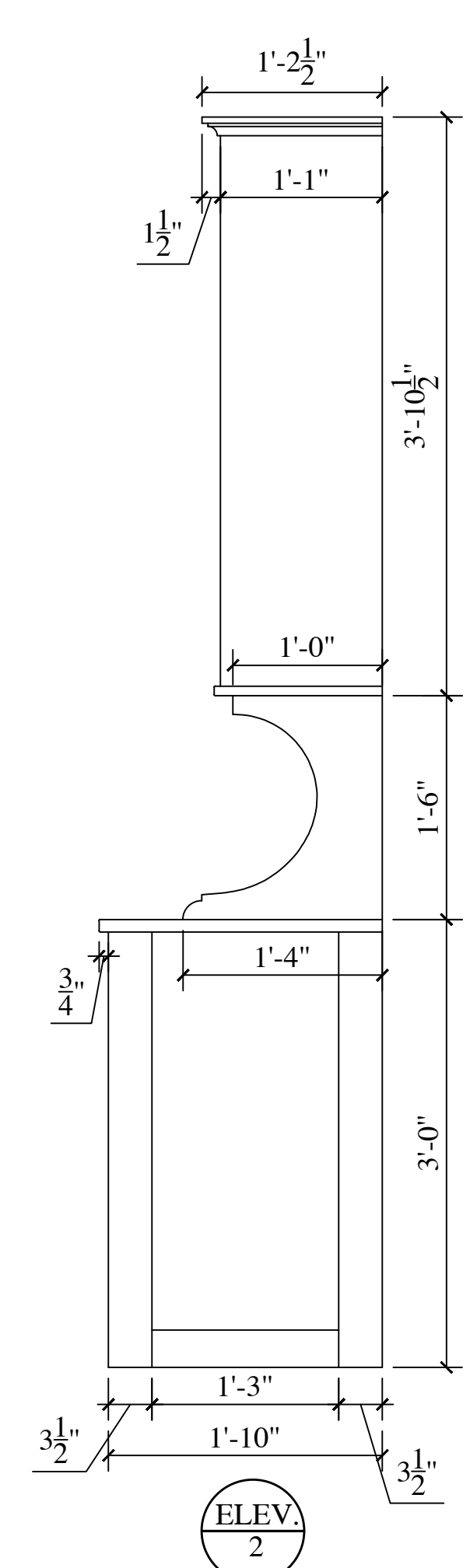
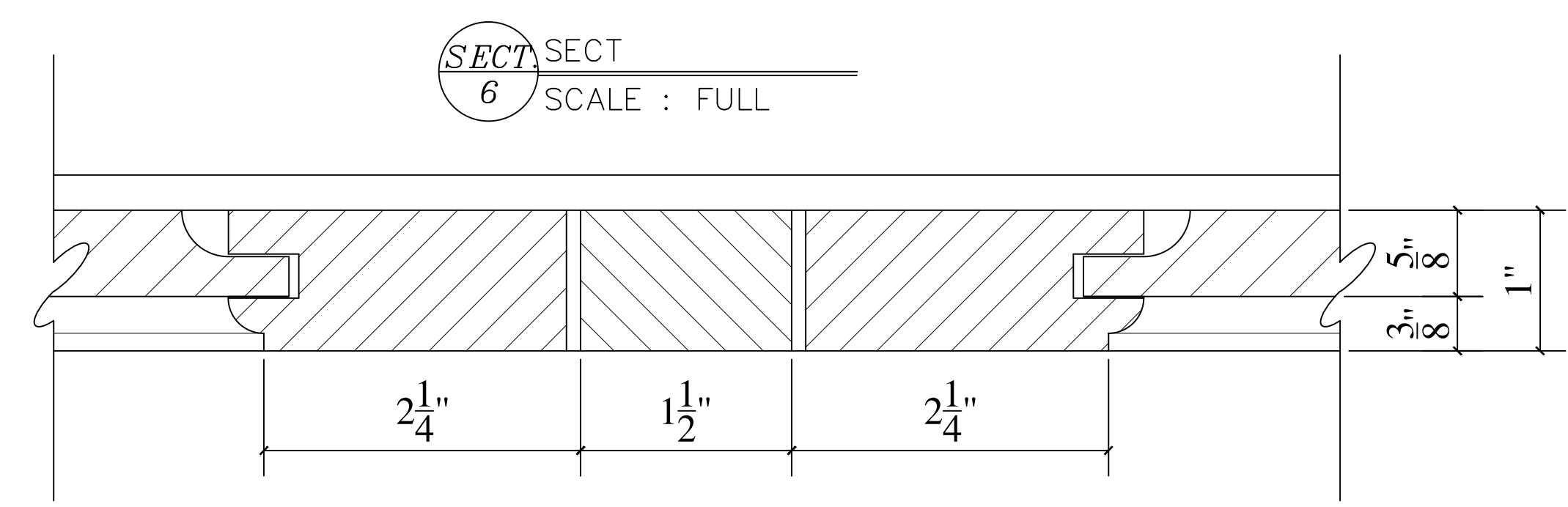
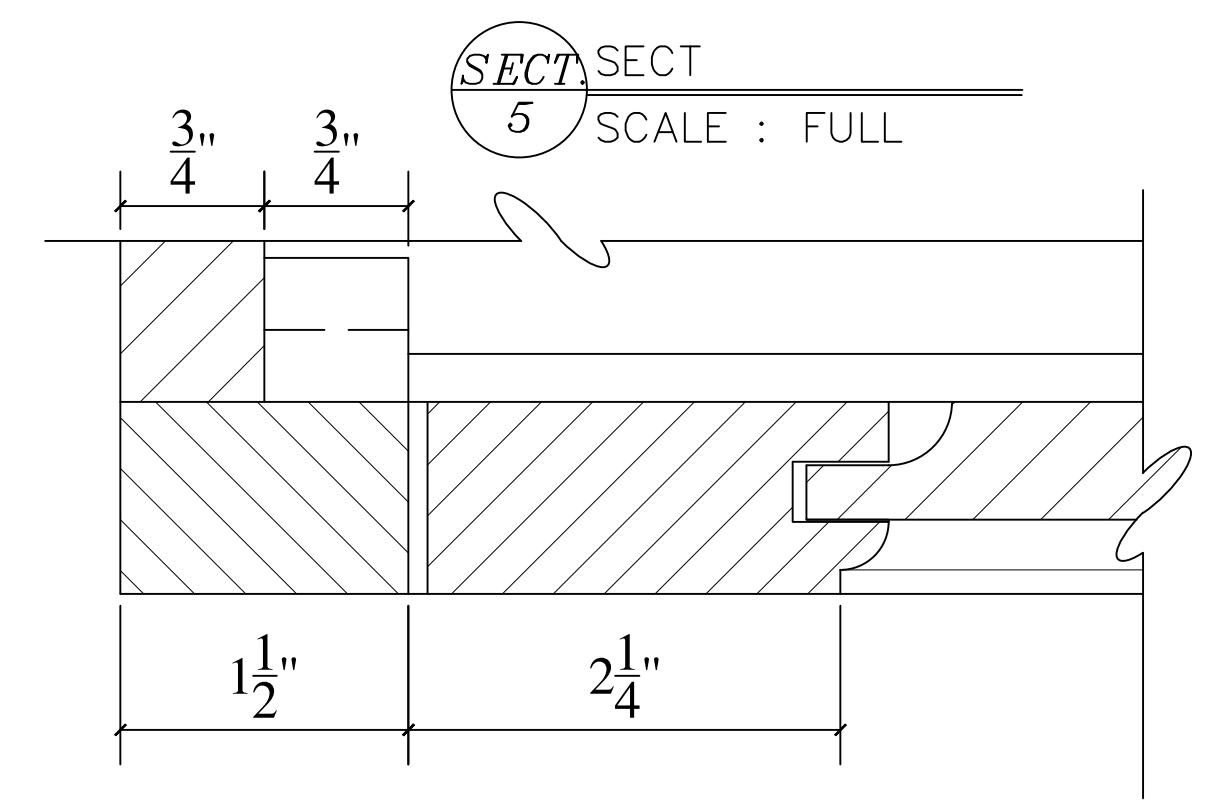
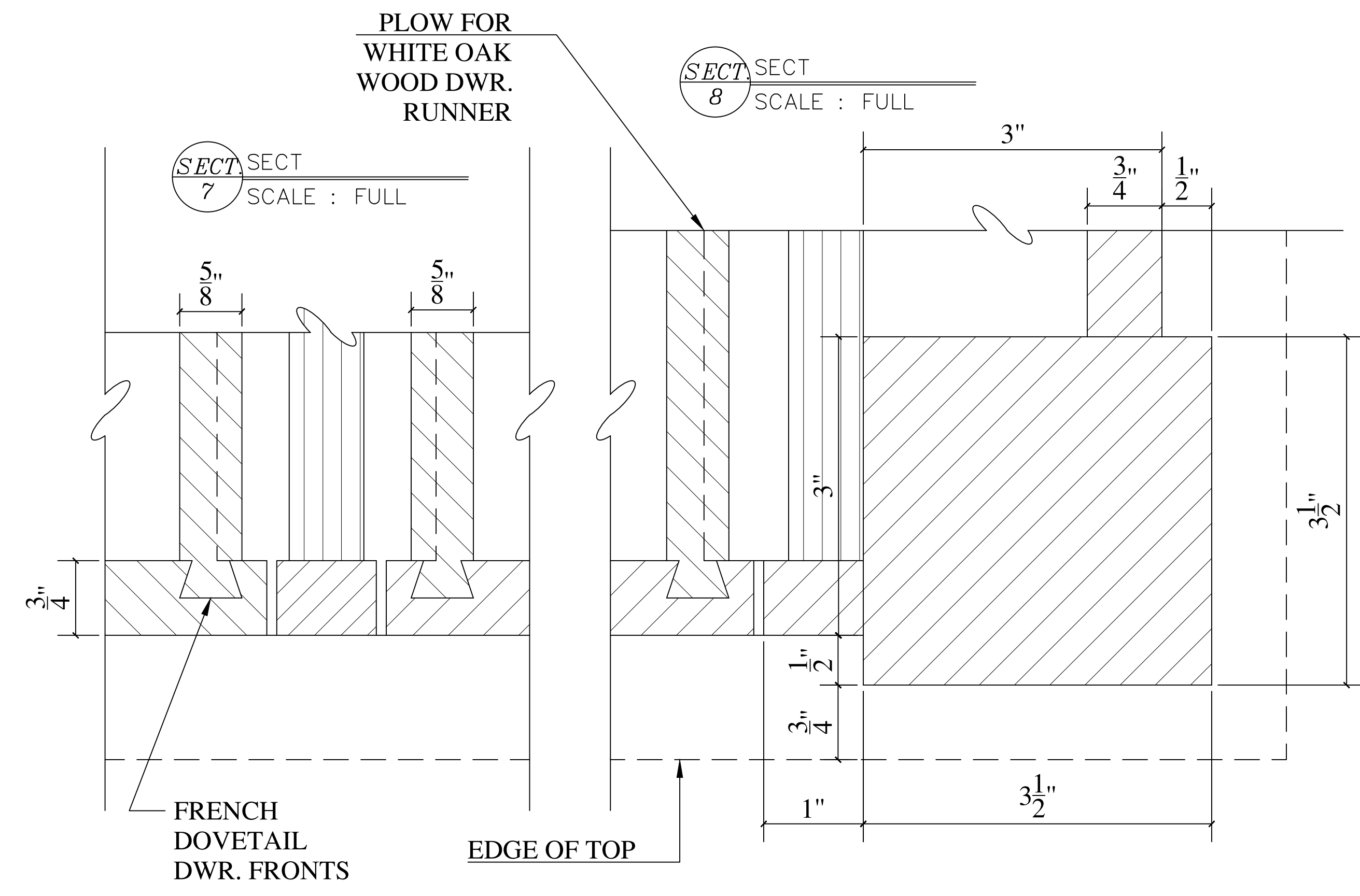


1 EA. PREP KITCHEN HUTCH, ALL FAS POPLAR, BIRCH PLYWOOD INTERIOR INSIDE BASE ONLY AT LOWER SECTION (clear finish outside, primed exterior)



©COPYRIGHT  
 OLD MASTERS MILLWORK & DETAILS  
 2018 ALL RIGHTS RESERVED

PLEASE NOTE:  
 This drawing is property of OLD MASTERS MILLWORK & DETAILS LLC and may not be used or reproduced without written permission.



**Old Masters**  
 Millwork & Details, LLC  
 Phone: 770-851-8307  
 oldmastersmillwork@gmail.com

JOB: \_\_\_\_\_  
 CONTRACTOR: \_\_\_\_\_  
 ARCHITECT: \_\_\_\_\_

General Notes

No.	Revision/Issue	Date

DETAIL BY: FRED PURMORT SHEET: \_\_\_\_\_  
 DATE: \_\_\_\_\_  
 SCALE: \_\_\_\_\_